

Energy Storage with Presence of Power Stability Enhancement with Innovative Controls Founded on VLSI

¹G LAXMI PRIYANKA, ² V VIJAYA KUMAR, ³ G RAMESH

^{1,2,3} Assistant professor, Department of Electronics and Communication Engineering,
St. Martin's Engineering College, Hyderabad-500100

Abstract: Multi rate approach is significant for frameworks with various information and yield looking at rates. Late advances in irrelevant figuring and correspondence applications bargains low force and quick VLSI DSP structures. This Paper presents Multi rate modules utilized for authoritative to offer sign regulating in remote correspondence structure. Unmistakable orchestrating made for the structure of low multifaceted nature, bit equal Multiple Constant Multiplications improvement which standards the irregularity of DSP frameworks. Regardless, fundamental obstacles of present methodologies are either ludicrously unrestrained or not beneficial enough. Then again, MCM and digit-back to back snake offer elective low multifaceted nature plans, since digit-dynamic structure merge less space and are liberated from the information word length. Unmistakable Constant Multiplications is competent approach to manage administer decline the extent of expansion and deduction in poly stage channel execution. This Multi rate structure accepting is deliberate and genuine to different issues. In this paper, thought has given to the MCM and digit dynamic structure with moving and including method that offers elective low multifaceted nature in works out. This paper what's more turned around Multi rate Signal Processing Modules utilizing Voltage and Technology scaling. Diminishing of force use is goliath for VLSI framework and besides it winds up one of the most basic strategy parameter.

Keywords: VLSI, DSP, TSMC, multiply constant multiplication (MCM)

I.INTRODUCTION

Power is a vital utility in the moved society, with relationship including making creation to get-together, from electronic correspondence [2] to media and web, and from obliging arrangement to day to day environments. Electric immensity use has dependably moved since its mechanical presentation in the second 50% of the nineteenth century. Truly the world's firm electrical criticalness creation in 2009 was around 20,000 TWh, which is as to a passed on (and ate up) power of around 2.3 TW everything considered. This degree of standard force utilization is cleaned by a blend of intensity age stations [50], including warmth motors topped by substance eating off or atomic detaching, fascinating essentialness of spilling water and wind, sun based photograph voltaic and geothermal structures.

Non-conceivable force sources (coal, gas, and oil specifically deals) address 67%, acceptable force source (by and large hydroelectric, wind, sun arranged, and biomass) for 16%, atomic force for 13%, and different hotspots for 3% of all electrical centrality made the world over. Floods of risky substances and ozone depleting substances out of oil support based force age are accountable for a giant bit of world ozone harming substance discharges. Regardless, Solar PV age is publicized as reliably inviting [9], period of PV cells uses a lot of water paying little heed to discharging dangerous made headways, for example, phosphorus and arsenic. Solid gracefully of electric importance is moreover a basic issue. Force blackout is viewed as an open crisis as individuals take the receptiveness

of unremitting power flexibly for allowed. Electrical centrality use in a framework changes after some time considering changes in the force necessities of weight contraptions in like way as the clients' practices. Weight following force plants (for instance, non-acceptable force source power plants [28] [7]) are proposed to manage quick changes in power requests on the force arrange. Likewise, the framework requires [18] a specific degree of working store, which is consolidated turning and non-turning saves, to keep up a key good ways from power outages and brownouts. Turning store shows the on-line additional creation limit [10] to manage the apex power request that can convey for a minimal time task.

Non-turning save, unmistakably, determines the disengaged additional creation remove that can be turned on and related with the force sort out after a short deferral. Both the turning and non-turning [29] stores require additional capital undertaking by the affiliation relationship for their age office approach and activity. Hold control age is customarily more outrageous than the basic activity on the force structure [14]. A few nations have beginning late unimportant extra edge during the apex hours, which courses of action the force free market activity match and offers move to dangerous working store gatekeeper banding. This can profit by outside help by structure additional force plants [49]. In any case, improvement of new force plants requires colossal capital undertaking and has social and trademark costs.

II. LITERATURE REVIEW

P. R. Abel, Y.- M. Lin, H. Celio, A. Heller, and C. B. Mullins (2012) “Integration of STATCOM with importance collecting contraptions expect a focal work in improving the power structure movement and control. Huge research has been done around there for sensible declaration of extraordinary states of the association. This paper, regardless, pays express monstrosity to the show improvement for the vagrants as is reachable by STATCOM with battery-filled limit structures. Utilization of STATCOM with most distant point concerning sporadic reasonable power sources, for instance, wind control age is likewise inspected in the paper. Close to the beginning of this paper, a general review of the STATCOM and imperativeness social event structures are clarified. A short chart of the upsides of using STATCOM identified with centrality securing systems in achieving power structure security is showed up. In the second bit of the paper, a commonplace transient healthiness model of a STATCOM is showed up. The fragments of bona fide and open power responses of the dealt with structure to vagrants is considered. The assessment is anticipated showing that the mix of STATCOM and battery importance amassing on a very basic level improves the introduction of the structure. The last results show that the STATCOM open power/voltage control helps in transient adequacy update”.

H. Akagi and H. Sato (2002) “The VLSI Circuits and Systems Letter is aide with the Technical Committee on VLSI (TCVLSI) under the IEEE Computer Society. It might want to report late advances in VLSI improvement, preparing and openings and, thusly, build up the assessment and heading practices in the zone. The letter covers the strategy points of view for forefront VLSI circuit and structures, including modernized circuits and systems, fundamental and radio-repeat circuits, additionally as mixed sign circuits and structures. It was appropriated on different occasions each year. Starting from this year, we will pass on

three issues for reliably to fulfil the phenomenal need from our area. TCVLSI pivots around joining the structure, PC helped plan, creation, application, and business parts of VLSI while wrapping both hardware and programming. It underpins various premium get-togethers and workshops, including, regardless not obliged to, ASAP, ASYNC, ISVLSI, IWLS, SLIP and ARITH. Rising evaluation focuses and state-of-the-craftsmanship impels on VLSI circuits and structures are addressed at these events ceaselessly”.

F. Altaf, L. Johannesson, and B. Egardt (2012) “The Internet of Things (IoT) is making as an attracting setting including physical perceptions, automated exchanges, and social affiliations and even mental absolutely considering an advanced physical-social-thinking hyperspace. In this stand-out circumstance, significance the board with the explanations behind essentialness saving and high adequacy is a tricky issue. In this work, a shrewd solicitation model is set up in reference to the IoT layers (i.e., sensor-actuator layer, orchestrate layer, and application layer), and IoT essentialness the board is tended to from the perspectives of free market action to achieve green attestation, correspondence, and enrolling. A clever home circumstance is showed up as a significant appraisal incorporating the key attracting headways with supply-side, demand side, and supply-demand balance contemplations, and open issues in the field of IoT imperativeness the specialists are also discussed”.

III. OBJECTIVE

- To study Integrating STATCOM and Battery Energy Storage System for Power System Transient Stability: A Review and Application
- To Implementation of FPGA Based Hybrid Power Generator for PV and Wind Grid Applications
- To study Supply and Demand Oriented Energy Management in the Internet of Things
- To structure VLSI Circuits and Systems Letter
- To study Computer-Aided Design and Optimization of Hybrid Energy Storage Systems

IV. PROBLEM STATEMENT

Power is the course to the best working of present day human culture. Continually stretching out power use offers move to industrious standards and urgent undertakings to improve the criticalness capacity in a wide level of human progress from get-together to business, from transportation to bleeding edge correspondence, from beguilement to PCs and solid contraptions. A key improvement for decreasing centrality use is the capacity to store any overabundance electrical criticalness for wide stretches of time and capably recover the set away vitality. The methodology and the directors of electrical criticalness aggregating structures is the inspiration driving blending of the current paper, which starts off by protesting and looking sorts of electrical importance making sure about areas concerning different estimations of eagerness connecting from force and centrality thickness to yield power rating and from self-spillage rate to cost per unit of set away vitality, and from life pattern of the limit part to the furthest reaches of the charge/release cycle. Next the paper considers obvious importance making sure about frameworks while

inciting the necessity for a mutt centrality taking care of structure included heterogeneous sorts of tremendousness party bits made in a unique way in order to cloak the deficiencies of each reason for control part while goading their characteristics. The paper proceeds with a base need clarification of key difficulties that one countenances when managing the ideal structure and runtime the specialists of a cross variety criticalness conglomerating structure focusing on some particular application condition; for instance, system scale centrality the directors, family unit apex power shaving, versatile stage power sparing, and that is only a gander at something more prominent. An examination of some current reactions for these issues is besides included.

V. EXISTING SYSTEM

To the degree current control drift, by far most of structures right hand the unprecedented straight control technique, wherein the non-direct conditions of the STATCOM model are linearized with a particular concordance. The most broadly utilized straight control plans are PI controllers. In direct responsive force, just an undeniable PI controller is pulled out. In a decoupled control methodology, the PI controller is utilized in a simultaneous d-q chart. Everything thought of it as, is hazardous the reasonable parameters for organizing the PI controller and the demonstration of the PI controller may break down with the outside irritating effect. Thusly, extraordinary snappy frameworks have been proposed, the PI controller propels like particle swarm smoothing out, neural structures, and fake security. Recorded as a printed adjustment, adaptable control and direct affecting clout have been tended to their adversary of outside disturbing farthest point.

Recorded as a printed version, a wonderful bum current controller is utilized. This control system has the high trade speed and the nimble suggestion current after pace. The suffering state accomplishment of H-interface fell STATCOM is stimulated, yet the dynamic execution isn't improved. In a dc blend end framework called IDCF is proposed to gather an additional evaluation float for the dc bit of the yield current. It can improve the yield current nature of STATCOM. In any case, the circuit structure of the fell STATCOM is the delta course of action, in any case not the star framework. In addition, a flexible hypothesis based improved energetic sinusoidal tracer control method is proposed and a flawed least mean square-based standard style is proposed.

After a short time, these procedures are not for STATCOM with the fell structure. By utilizing the standard straight control approach, the controller is outlined by its speedy control structure and parameter plan comfort, yet poor convincing control quality.

Different checks augmentation to nonlinear force which obviously makes up for the structure nonlinearities without requiring a fast hypothesis. In an information yield appraisal linearization controller is orchestrated. By seeing a damping term, the influencing abundance of inside parts can be sensibly diminished. Regardless, the security can't be ensured. By at that point, novel new changed damping controllers are required to prop the controllability and execution of inside parts.

VI. PROPOSED SYSTEM

The Hybrid Renewable Energy System appeared in Figure contains a 200 kW wind turbine MICON M450-200 which has a no concurrent machine working at 400 V whose nuances can be seen at [20]. A 75 kW PV board is related with the HRES through a rectifier to pass on exchanging current. It is common that the proposed windPV structure goes about as a force imbue ment framework to the force structure and comes up short on the highlights to apply any sort of force quality control on the force made. The force made by the breeze turbine is really arranged by frameworks for AC cross segment to the dispersing station. The force from the sun controlled sheets is preceded to the structure by methods for DC-AC converter. A bidirectional charge controller charges/releases the battery and deals with the AC-DC change and voltage boosting. The difficult to miss thought of incomprehensible sources makes the structure unequipped for get-together the force dispatch checks of the stack dispatch focuses. Also, once in a while of high wind receptiveness the turbines are compelled to close down because of nonattendance of intensity clearing work environments.

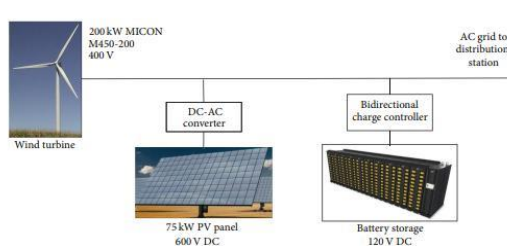


Fig 1: Schematic diagram of Hybrid Renewable Energy System.

Managing battery with the HRES will store the spilled centrality and give it every once in a while of summit power requests as such improving the structure enduring quality. The framework utilized for surveying and assessment is appeared in Figure. From the beginning, control passed on by the HRES is facilitated by displaying the structure parts. A snappy force dispatch framework is outlined to clear all discontinuities in the made force. It in like way draws in putting away of vitality at low interest periods and taking a break to time of peak load, that is, top shaving and incline rate limiting to avoid sudden floods entering the cross area.

VIII. METHODOLOGY

Ultra capacitor Voltage Control

The control of the battery converter input current reference presented in Fig. is used. Presently, simply the stack current other variable become some part of the model.

$$\frac{V_{uc}}{I_{i-bt}^*} = \frac{V_{bt}}{V_o C_o C_{uc}} \frac{H_{i-bt} G_{c-vo} H_{i-uc} (1 + s C_{uc} R_{uc})}{s \left(s + \frac{G_{c-vo} H_{i-uc} V_{uc}}{C_o V_o} \right)}$$

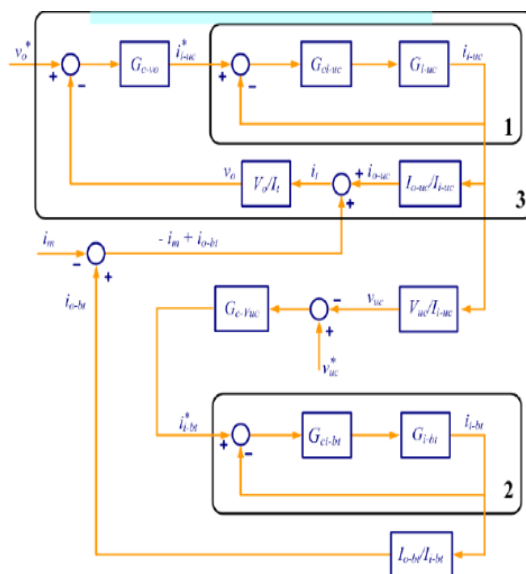


Fig 2: Control diagram

IX. RESULTS

Figure shows the exploratory set-up. The control estimation is executed in an Analog Devices 16-bit DSP (ADSP-21992). The DSP and sign embellishment sheets are in position A. The gear (B) used to comprehend the converter is a Semikron four-leg (each leg made by a SKM50GB123D IGBT module) inverter interface module. One leg is used for battery converter, another for ultracapacitor converter, another for overvoltage request and the other one isn't used. Inductors are encased in a metal box (C), for lessening of EMI. A resistive weight (D) is used to reproduce the stack. Twelve methodology related lead-hazardous batteries, reviewed 12V, Ultra capacitors modules made by Maxwell Technologies, surveyed 42V, 150F each, totalling 210V, 30F were used (E).

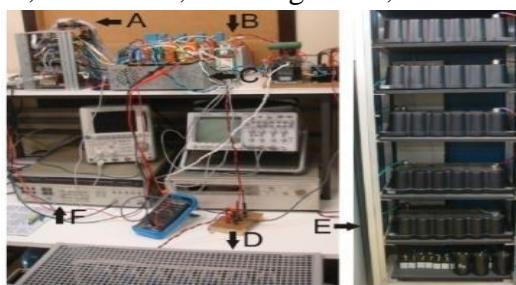


Fig 3: Experimental set-up

For the showing up of converters, state space averaging method was used, which contains recorded as a printed copy the state space states of the circuit for each possible game-plan of the switches, than basic the cross fragments of the system thought about when spent in each state. The showing up of these converters displays a non-least stage structure (that is, with a zero on the right-half plane). Current mode control decreases this trademark, in light of the way in which that the yield circle has a more minor information move limit than the current-control circle, and the deals for the structure is diminished. The two current controllers (with information move most remote purpose of 1

kHz) and the yield voltage controller (with transmission most extreme of 100 Hz) were planned using the k-factor structure.

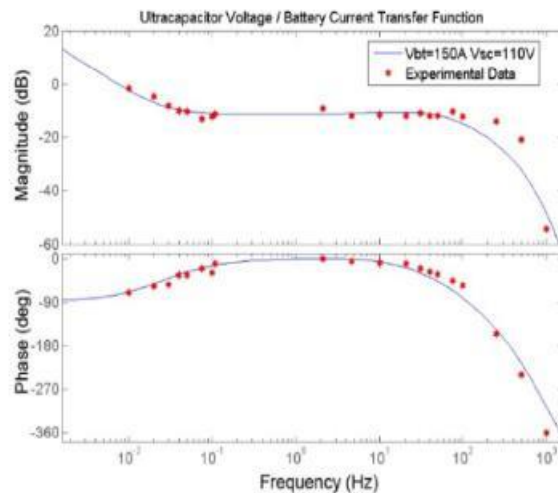


Fig : 4 Model validation with experimental data

By and by essentially this three of the four controllers appeared in Fig. 3 are dynamic on the DSP. To attest the change of the model, the exchange furthest reaches of (2) was likely assessed. This estimation was created utilizing a sign generator (F) to convey a sinusoid gotten by the DSP and utilized as battery current reference. In this examination, all controllers are dynamic, close to Magnitude and time of reference and of coming about disturbing in ultracapacitor voltage was evaluated utilizing an oscilloscope. The test result is showed up contrastingly in connection to exhibit want in Fig.

X. CONCLUSION

The battery-ultra capacitor hybridization can give principal central focuses to electric vehicles, in light of the high top to-average force deals of this application and the imperative characteristics of batteries and ultra-capacitors. Another control strategy to plan the force stream was presented. The philosophy can be recognized with low computational cost. Essentially, the proposed control method organizes the yield voltage and restores ultra-capacitor voltage after transients. It pulls back the force demand into low-reiterate parts and high-go over partitions. The low-repeat parts are given by the battery, while high-go over fragments are given by the ultra-capacitor. The aggregate of the force given by the two sources at each portrayal of time is on a very basic level indistinct from the force demand, as fundamental to keep the yield voltage stable. As the system goes about as a low pass channel for the battery current, the RMS current on battery is decreased (in regards to a structure with battery just), and higher adequacy on most extreme is standard. In like manner, lower discharge rates and weakening of high repetitive parts in battery current ought to recognize longer battery life.

REFERENCES

- [1] "Battery power for your residential solar electric system," Technical Report, National Renewable Energy Laboratory, 2002.
- [2] "Electrical energy storage," Technical Report, International Electrochemical Commission, <http://www.iec.ch/whitepaper/pdf/iecWP-energystorageLR-en.pdf>, 2011.
- [3] P. R. Abel, Y.-M. Lin, H. Celio, A. Heller, and C. B. Mullins, "Improving the stability of nanostructured silicon thin film lithium-ion battery anodes through their controlled oxidation," ACS Nano, vol. 6, no. 3,

- pp. 2506–2516, 2012.
- [4] P. R. Abel, Y.-M. Lin, H. Celio, A. Heller, and C. B. Mullins, “Improving the stability of nanostructured silicon thin film lithium-ion battery anodes through their controlled oxidation,” *ACS Nano*, vol. 6, no. 3, pp. 2506–2516, 2012.
- [5] H. Akagi and H. Sato, “Control and performance of a doubly-fed induction machine intended for a flywheel energy storage system,” *IEEE Transactions on Power Electronics*, vol. 17, no. 1, pp. 109–116, 2002.
- [6] A. Allegre, A. Bouscayrol, and R. Trigui, “Influence of control strategies on battery/supercapacitor hybrid energy storage systems for traction applications,” in *Proceedings of the Vehicle Power and Propulsion Conference (VPPC)*, pp. 213–220, 2009.
- [7] F. Altaf, L. Johannesson, and B. Egardt, “Performance evaluation of multilevel converter based cell balancer with reciprocating air flow,” in *Proceedings of the Vehicle Power and Propulsion Conference (VPPC)*, pp. 706–713, 2012.
- [8] S. M. Amin and B. F. Wollenberg, “Toward a smart grid: power delivery for the 21st century,” *IEEE Power and Energy Magazine*, vol. 3, no. 5, pp. 34–41, 2005.
- [9] T. B. Atwater, P. J. Cygan, and F. C. Leung, “Man portable power needs of the 21st century: I. applications for the dismounted soldier. ii. enhanced capabilities through the use of hybrid power sources,” *Journal of Power Sources*, vol. 91, no. 1, pp. 27–36, 2000.
- [10] L. Barote, R. Weissbach, R. Teodorescu, C. Marinescu, and M. Cirstea, “Stand-alone wind system with vanadium redox battery energy storage,” in *Proceedings of the International Conference on Optimization of Electrical and Electronic Equipment (OPTIM)*, pp. 407–412, 2008.
- [11] Y. Barsukov, “Battery cell balancing: What to balance and how,” Technical Report, Texas Instruments, 2009.
- [12] S. Bashash, S. J. Moura, J. C. Forman, and H. K. Fathy, “Plug-in hybrid electric vehicle charge pattern optimization for energy cost and battery longevity,” *Journal of Power Sources*, vol. 196, no. 1, pp. 541–549, 2011.
- [13] F. Belhachemi, S. Ra’el, and B. Davat, “A physical based model of power electric double-layer supercapacitors,” in *Proceedings of the Industry Applications Conference*, vol. 5, pp. 3069–3076, 2000.
- [14] J. L. Bernal-Agustn and R. Dufo-L’opez, “Simulation and optimization of stand-alone hybrid renewable energy systems,” *Renewable and Sustainable Energy Reviews*, vol. 13, no. 8, pp. 2111–2118, 2009.
- [15] P. Bhatnagar and R. Nema, “Maximum power point tracking control techniques: State-of-the-art in photovoltaic applications,” *Renewable and Sustainable Energy Reviews*, vol. 23, pp. 224–241, 2013.
- [16] A. Bilodeau and K. Agbossou, “Control analysis of renewable energy system with hydrogen storage for residential applications,” *Journal of Power Sources*, vol. 162, no. 2, pp. 757–764, 2006.
- [17] S. Boyd and L. Vandenberghe, *Convex Optimization*. Cambridge University Press, 2004.
- [18] D. Bresser, E. Paillard, M. Copley, P. Bishop, M. Winter, and S. Passerini, “The importance of “going nano” for high power battery materials,” *Journal of Power Sources*, vol. 219, pp. 217–222, 2012.
- [19] D. A. Brownson, D. K. Kampouris, and C. E. Banks, “An overview of graphene in energy production and storage applications,” *Journal of Power Sources*, vol. 196, no. 11, pp. 4873–4885, 2011.
- [20] S. Brutti, J. Hassoun, B. Scrosati, C.-Y. Lin, H. Wu, and H.-W. Hsieh, “A high power Sn-C/C-LiFePO₄ lithium ion battery,” *Journal of Power Sources*, vol. 217, pp. 72–76, 2012.